

VOLTAGE CONTROLLED OSCILLATORS

Coaxial

DUAL OUTPUT 25 to 1025 MHz

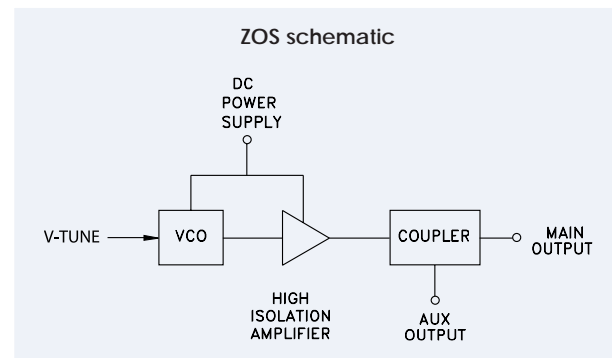


ZOS

MODEL NO.	FREQ. (MHz)		POWER OUTPUT (dBm)		TUNE VOLTAGE (V)		PHASE NOISE (dBc/Hz) SSB@ offset frequencies:			PULLING (MHz) pk-pk (open/short)	PUSHING (MHz/V)	TUNING SENSITIVITY (MHz/V)	HARMONICS (dBc)		3dB MOD. BANDWIDTH (kHz)	POWER SUPPLY		CASE STYLE	PRICE \$
	Min.	Max.	Main.	Aux.	Min.	Max.	10 kHz	100 kHz	1 MHz				Typ.	Typ.		Typ.	Typ.		
ZOS-50	25-50		+9	-12	1	16	-107	-126	-141	0.012	0.08	2.5	-22	-12	100	12	140	BR386	119.95
ZOS-75	37.5-75		+9	-12	1	16	-110	-128	-142	0.016	0.15	3.5	-26	-20	100	12	140	BR386	119.95
ZOS-100	50-100		+9	-12	1	16	-111	-131	-143	0.026	0.25	4.5	-29	-20	100	12	140	BR386	119.95
ZOS-150	75-150		+9	-12	1	16	-107	-127	-142	0.017	0.39	5.8	-23	-17	100	12	140	BR386	119.95
ZOS-200	100-200		+10	-11	1	16	-106	-126	-141	0.015	0.42	7.7	-25	-20	100	12	140	BR386	119.95
ZOS-300	150-280		+9	-13	1	16	-103	-123	-142	0.017	0.50	11	-27	-20	100	12	140	BR386	119.95
ZOS-400	200-380		+10	-13	1	16	-100	-120	-136	0.021	0.50	15	-24	-18	100	12	140	BR386	119.95
ZOS-535	300-525		+9	-13	1	16	-96	-118	-131	0.018	0.50	18	-27	-20	100	12	140	BR386	119.95
ZOS-765	485-765		+8.5	-14	1	16	-96	-117	-132	0.033	0.72	22	-27	-17	100	12	140	BR386	119.95
ZOS-1025	685-1025		+8	-13	1	16	-92	-112	-136	0.051	1.00	30	-25	-18	100	12	140	BR386	119.95

features

- octave bandwidth
- linear tuning
- excellent harmonic suppression
- auxiliary output for frequency monitoring/ phase locked loops
- main & auxiliary ports have excellent isolation from main oscillator (50 dB typ.)
- load insensitive
- at 12 dB, pulling comparable to short term stability



NOTES:

- General Quality Control Procedures, Environmental specifications, Hi-Rel, and MIL description are given in General Information (Section 0).
- Connector types and case mounted options, case finishes are given in section 0, see "Case Styles & Outline Drawings".
- Prices and Specifications subject to change without notice.
 - Operating Temperature: -55°C to +85°C
 - Absolute Maximum Supply Voltage (V_{cc}) & Tuning Voltage (V_{tune}):

Model	(V_{cc})	(V_{tune})
ZOS Models	+16V	+18V
except ZOS-50	+16V	+17V

Surface Mount [□] & Plug-In

Low Noise 125 to 1114 MHz

SURFACE MOUNT



MODEL NO.	FREQ. (MHz)		POWER OUTPUT (dBm)	TUNE VOLTAGE (V)		PHASE NOISE (dBc/Hz) SSB@ offset frequencies: Typ.					PULLING (MHz) pk-pk @12 dB	PUSHING (MHz/V)	TUNING SENSITIVITY (MHz/V)	HARMONICS (dBc)		3 dB MOD. BANDWIDTH (kHz)	POWER SUPPLY		CASE STYLE	C O N T A C T S	PRICE \$
	Min.	Max.	Typ.	Min.	Max.	100 Hz	1 kHz	10 kHz	100 kHz	1 MHz	Typ.	Typ.	Typ.	Typ.	Max.	Typ.	Voltage (V) Nom.	Current (mA) Max.	Note B		Qty. (1-9)
NEW ♦ JCOS-175LN	125-175		+3.7	1	17	—	-95	-118	-138	-158	0.08	0.05	3-5	-25	-20	2900	12	20	BG419	jd	49.95
♦ JCOS-820WLN	780-860		+9	0	20	-60	-90	-112	-132	-150	4.5	0.3	8	-13	-8	2000	9	25	BG419	jd	49.95
♦ JCOS-820BLN	807-832		+3	1	14	-57	-88	-112	-132	-151	0.4	0.4	6	-24	-20	2000	10	25	BG419	jd	49.95
♦ JCOS-1100LN	1079-1114		+8.5	0	20	-60	-88	-110	-130	-150	7.5	0.5	4.5	-15	-10	2000	8	25	BG419	jd	49.95
NEW ♦ ROS-810LN	760-810		+5	0.5	10	—	-90	-115	-135	-155	1.8	0.5	8-10	-24	-18	6000	8	20	CK605	kg	49.95
POSA-138	118-138		+5	1	16	-72	-100	-125	-145	-163	0.07	0.03	2.3	-40	-30	2000	12	25	C07	jr	46.95
POSA-158	138-158		+5	1	16	-72	-100	-125	-145	-163	0.07	0.03	2.4	-40	-25	2000	12	25	C07	jr	46.95
POSA-960	800-960		+16	1	15	—	-84	-112	-130	-150	2.0	0.3	17-22	-30	-16	2000	15	50	C07	mj	49.95

applications

- cellular local oscillator
- VHF and UHF transmitters
- aircraft radios

NOTES:

- ♦ Aqueous washable
 - Non-hermetic
 - A. General Quality Control Procedures, Environmental specifications, Hi-Rel, and MIL description are given in General Information (Section 0).
 - B. Connector types and case mounted options, case finishes are given in section 0, see "Case Styles & Outline Drawings".
 - C. Prices and Specifications subject to change without notice.
- Operating Temperature: -55°C to +85°C
 - Absolute Maximum Supply Voltage (V_{cc}) & Tuning Voltage (V_{tune}):

Model	(V _{cc})	(V _{tune})
JCOS-175LN	+15V	+18V
POSA-960	+16V	+16V
ROS-810LN	+9V	+12V
All other models	+15V	+24V

pin connections

see case style outline drawings

PORT	jd	jr	kg	mj
RF OUT	7	9	10	1
V-CC	8	12	14	4
V-TUNE	1	3	2	16
GND EXT	all others	all others	all others	all others
DEMO BOARD	—	—	TB-10	—



The Design Engineers Search Engine
Provides Actual Data Instantly
At: <http://www.minicircuits.com>

In Stock... Immediate Delivery
For Custom Versions Of Standard Models
Consult Our Applications Dept.

